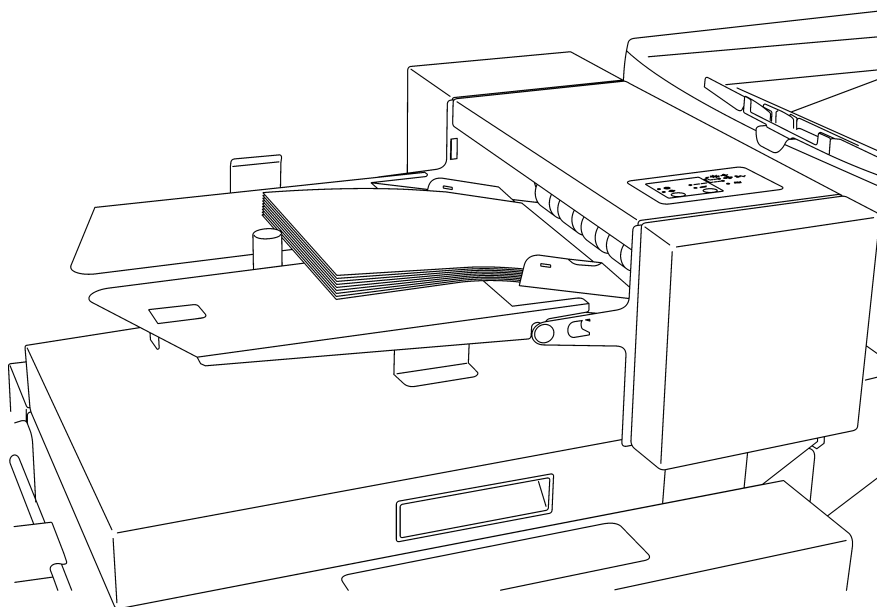

Installation Manual

SR85/CF85 COVER FEEDER



Introduction

This install manual covers the installation of the SR85 Cover Feeder on to the Booklet maker SR 85.

If you have any comments or remarks, please contact us on one of the following numbers:

Email: support.oem@plockmatic.se

Phone: +46 8 602 50 41
1 800 648 57 73

Fax: +46 8 722 9970

Table of contents

1. Installing the Cover Feeder

Page

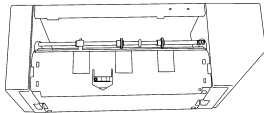
1.1 Unpacking	1-1
1.2 Cleaning the Fold rollers	1-2
1.3 Remove the Red cable ties	1-4
1.4 Routing the Power Supply Harness, PSH	1-4
1.5 Attaching the Cover Feeder to the Top cover	1-9
1.6 Check the installation	1-15

1. Installing the Cover Feeder

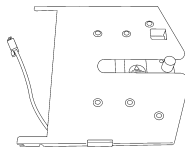
1.1 Unpacking

1. Remove all parts from the Box.

- | | |
|-----------------|--|
| Box containing. | 1. Cover Feeder |
| | 2. Bin extension plate |
| | 3. Feed roller assembly |
| | 4. Gas spring |
| | 5. Front Installation Bracket |
| | 6. Rear Installation Bracket |
| | 7. Power Supply Harness, PSH
Tie wraps
Cable holders for the PSH |
| | 8. Communication cable |
| | 9. Cleaning plate and folder springs (4x) |



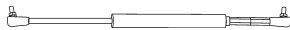
1. Cover Feeder



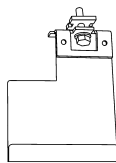
2. Bin extension plate



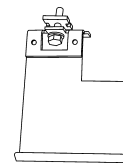
3. Feed roller assembly



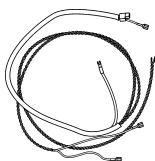
4. Gas spring



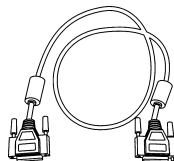
5. Front Installation Bracket



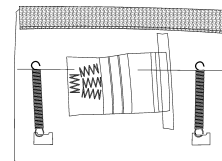
6. Rear Installation Bracket



7. Power Supply Harness



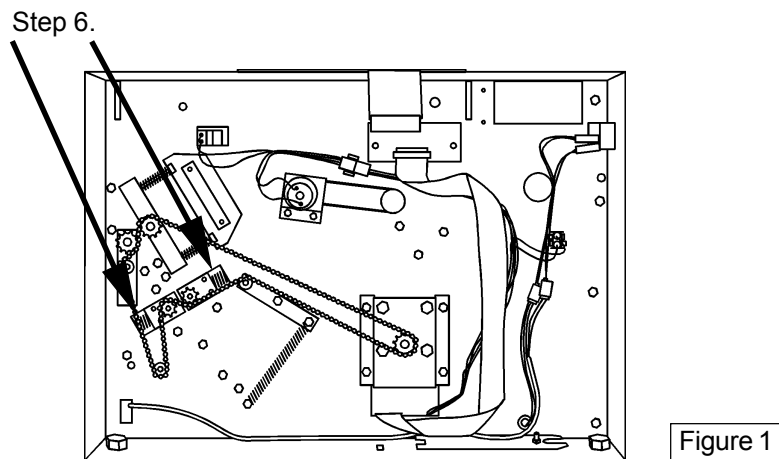
8. Communication cable



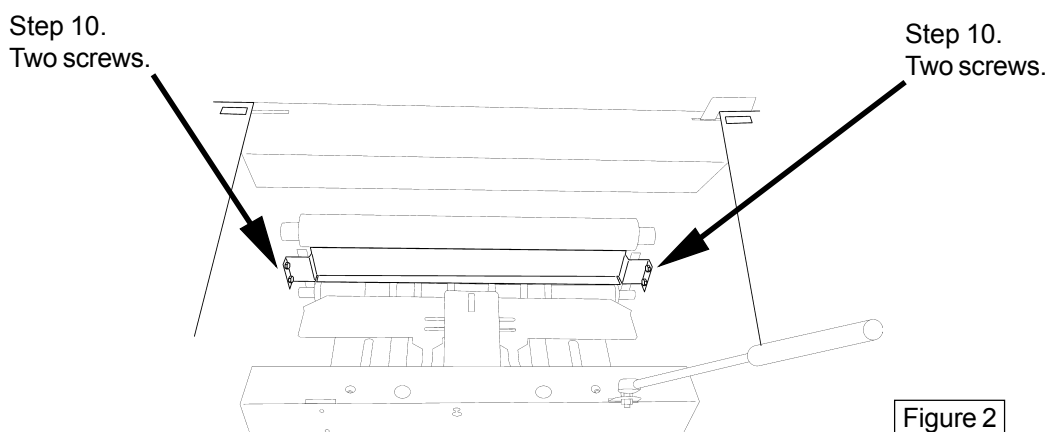
9. Cleaning plate

1.2 Cleaning the Fold rollers

1. To avoid smearing and marks on the covers it is necessary to clean the fold rollers.
2. Set up the Booklet maker for A3 / 11x17”.
3. Switch off the Main power switch on the Booklet Maker.
4. Remove the two stapler heads from the Booklet Maker, according to REP 3.1 in the SR85 Service manual.
5. Remove the front and rear cover on the Booklet Maker, according to REP 1.1 in the SR85 Service manual.
6. Remove the two folder springs on the Front side according to figure 1.



7. Install two new springs from the Cover feeder box, item 9 on the front side.
8. Remove the two folder springs on the rear side same location as the front side.
9. Install two new springs from the Cover feeder box, item 9 on the rear side.
10. Remove the folder bracket by removing four 7mm screws according to figure 2.



11. Take the Cleaning plate, item 9 from the Cover feeder box.
12. Put the Cleaning plate behind and under the SR85 frame, and between the two Fold rollers according to figure 3.

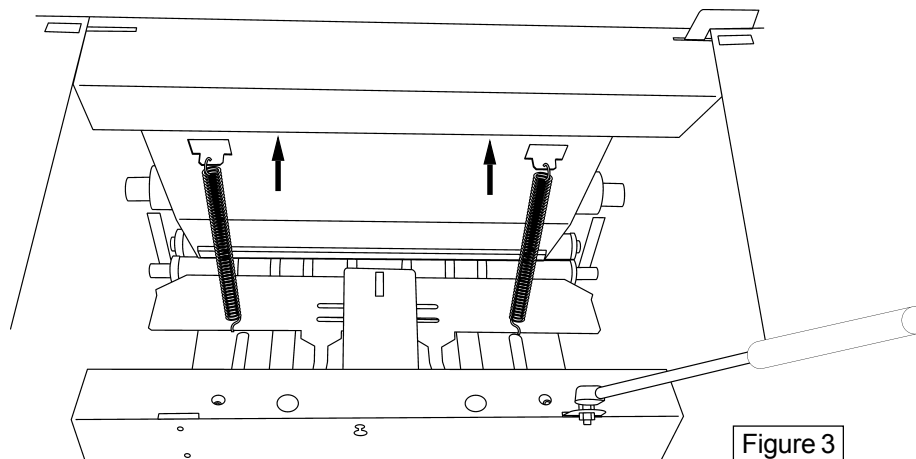


Figure 3

13. Attach the two springs on the white bracket according to figure 3.
14. Start the dead cycle program on the Booklet Maker by holding in the Program select button and switching on the Main power switch, according to figure 4.

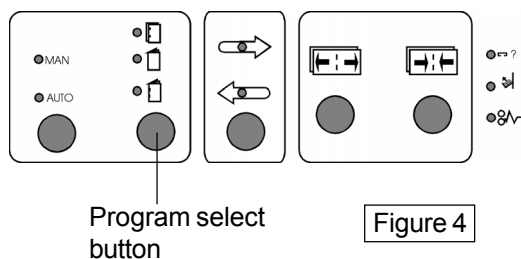


Figure 4

15. Close the Top cover.
16. Let the Booklet Maker run for approximately 2 minutes.
17. Turn off the Main power switch.
18. Remove the cleaning plate from the Booklet maker.
19. Install the folder bracket.
20. Install the two stapler heads.
21. Install the front cover on the Booklet Maker.
22. Turn on the Booklet Maker and hand feed 10 sets through the machine to be sure that the fold rollers are clean.

1.3 Remove the red cable ties

1. Cut the three red cable ties and remove the cardboard between the Upper paper path and the frame. Figure 1 and Figure 2.

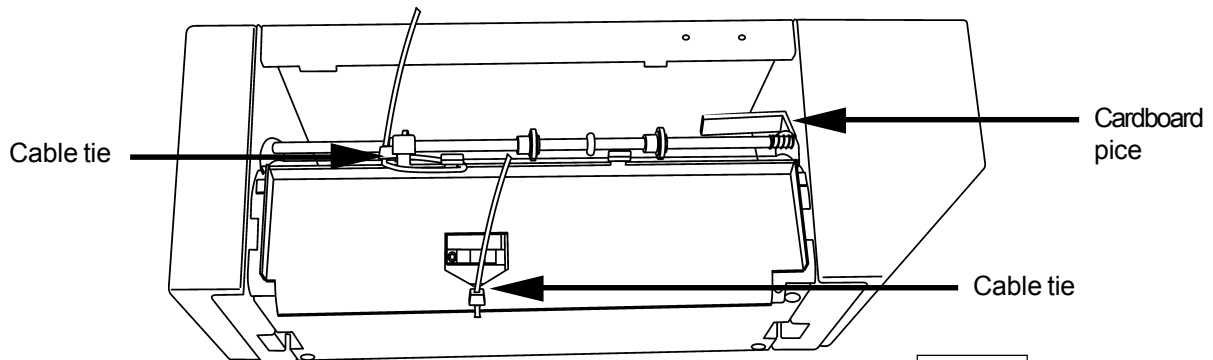


Figure 1

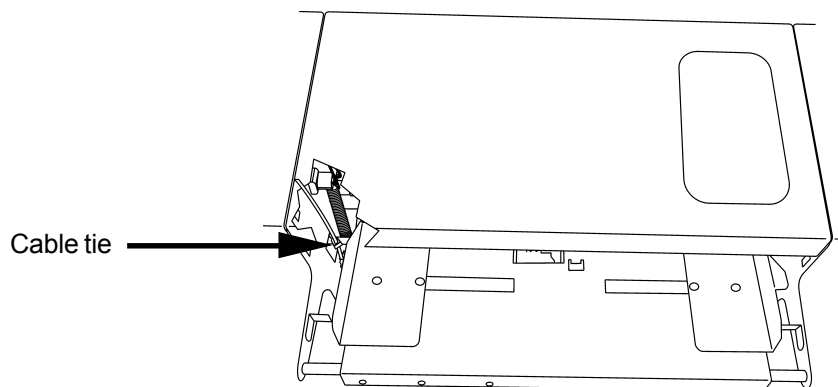


Figure 2

1.4 Routing the Power Supply Harness, PSH

1. Undock the Booklet maker.
2. Remove the power cord and the communication cable from the Booklet maker.
3. Remove the Infeed cover on the Booklet maker, according to REP 1.4 in the SR85 Service manual.
4. Open the Top cover.
5. Route the Power Supply Harness, PSH, make sure that the connector is on the infeed side of the Booklet maker. Route it, between the inside of the Top cover and the reinforcement by the right hinge, according to figure 1.

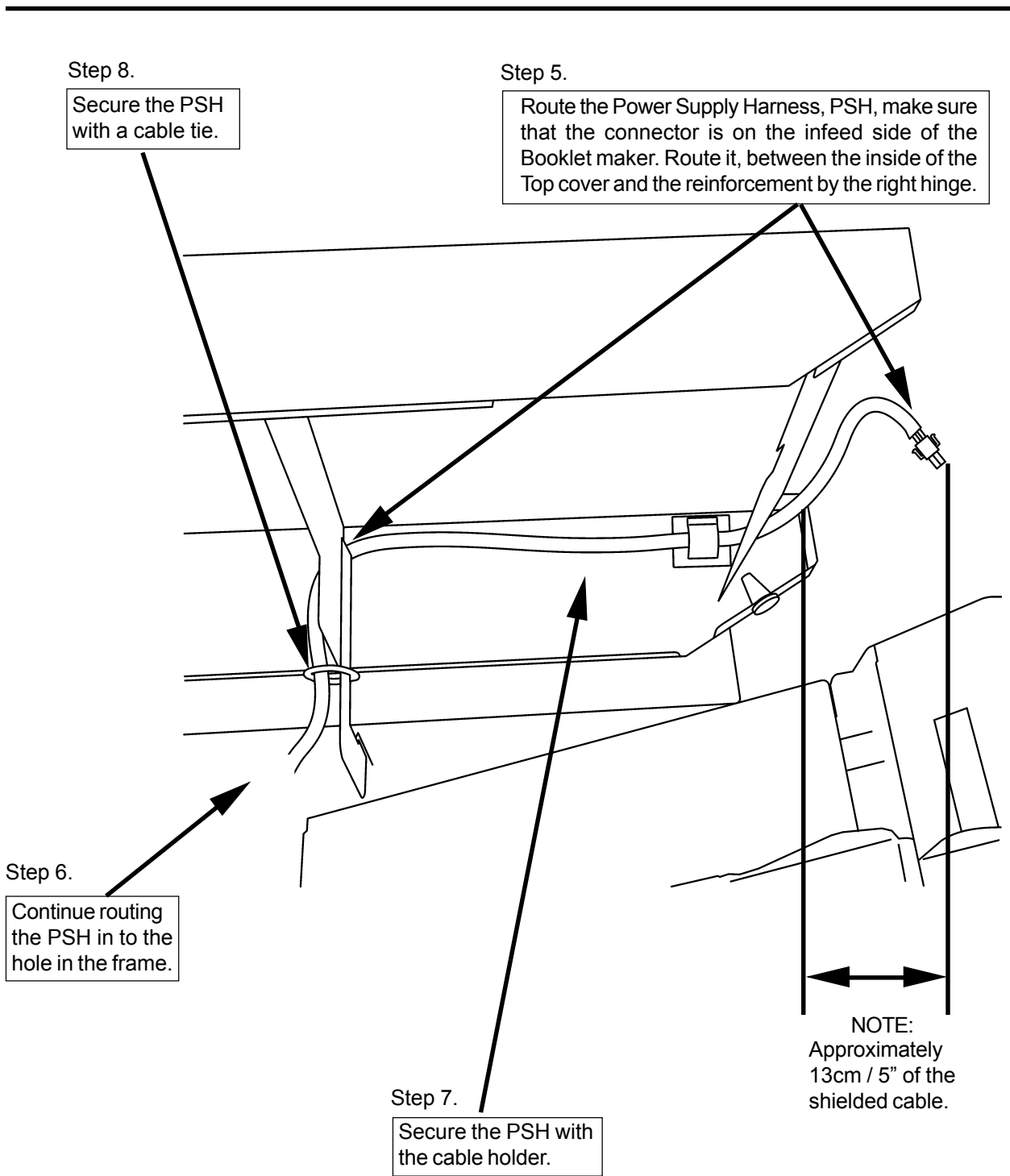
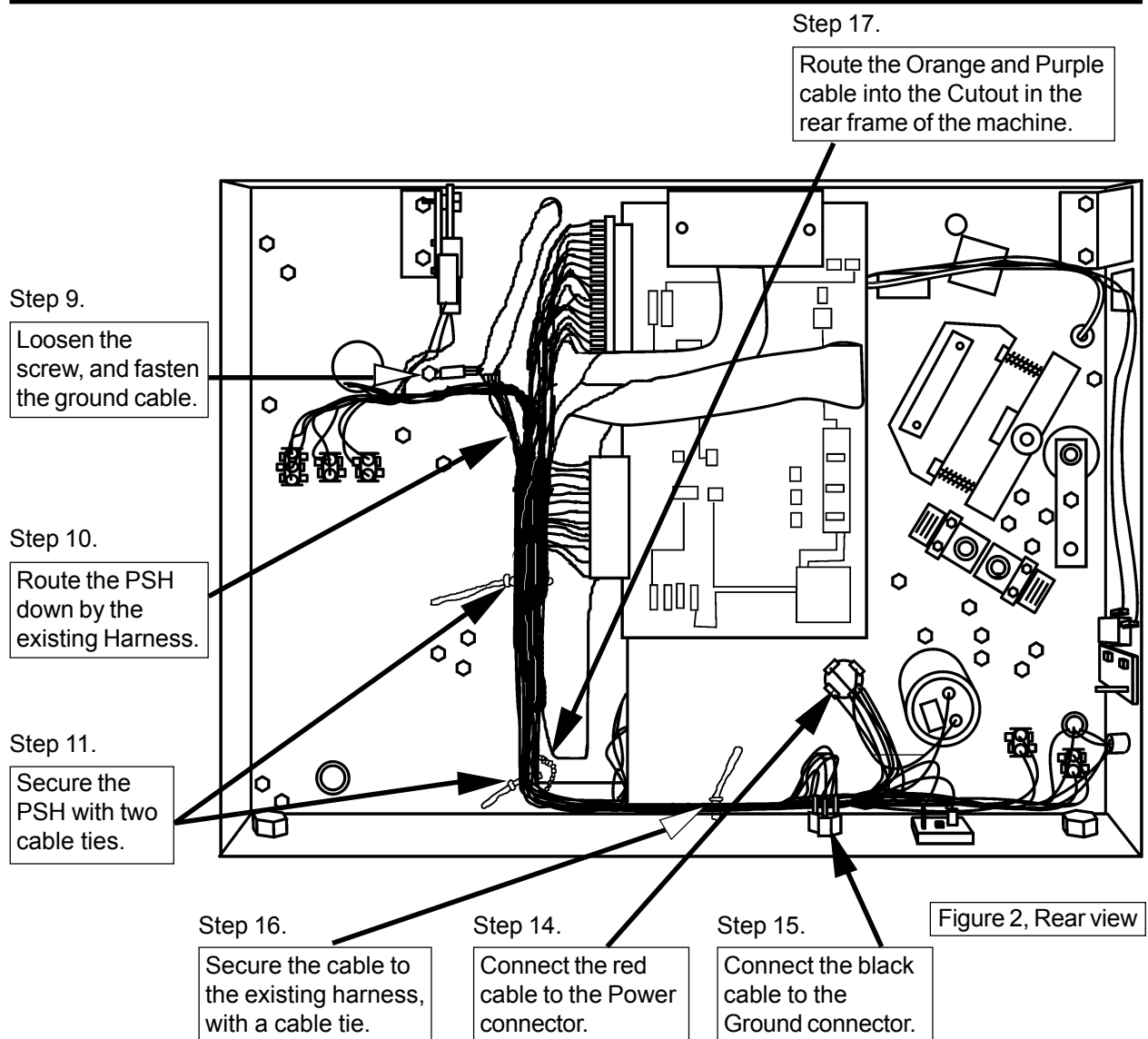


Figure 1, Top view

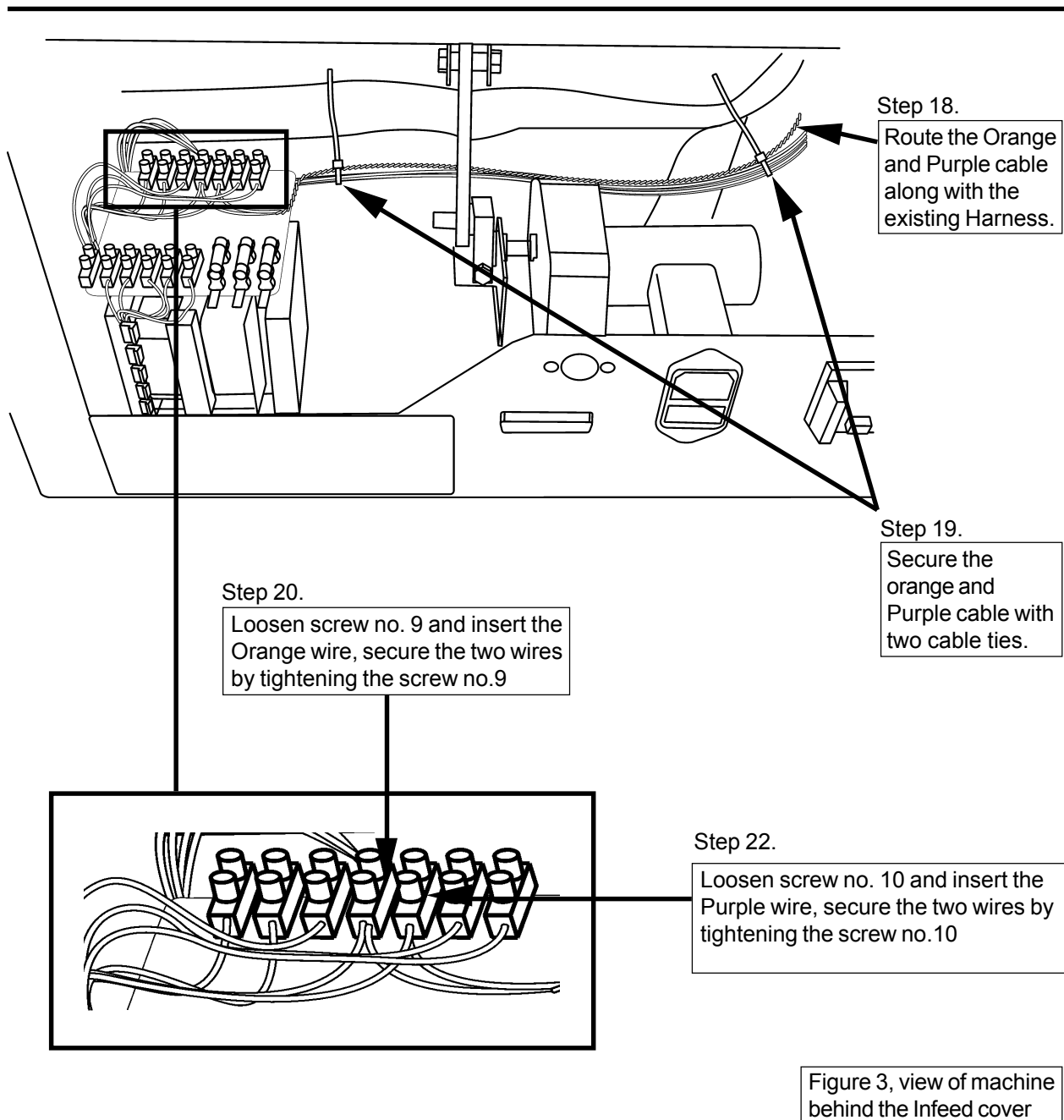
6. Continue routing the PSH in to the hole in the frame, according to figure 1.

NOTE: Make sure that you route the PSH so that you have approximately 13cm / 5" of the shielded cable at the infeed side of the machine, according to figure 1.

7. Secure the PSH with a cable holder, according to figure 1.
8. Also secure the PSH with a cable tie, according to figure 1.



9. Loosen the screw, and fasten the ground cable, according to figure 2.
10. Route the PSH by the existing Harness, according to figure 2.
11. Secure the PSH with two cable ties, according to figure 2.
12. Split the PSH. So that you have one end with the red and black cable. And one end with the Orange and Purple cable.
13. Route the Red and Black cable to the right of the machine, seen from the rear side.
14. Connect the red cable to the Power connector, according to figure 2.
15. Connect the black cable to the Ground connector, according to figure 2.
16. Secure the cable to the existing harness with a cable tie, according to figure 2.
17. Route the Orange and Purple cable into the Cutout in the rear frame of the machine, according to figure 2.



18. Route the Orange and Purple cable along with the existing Harness, according to figure 3.
19. Secure the Orange and Purple cable with two cable ties, according to figure 3.

NOTE: Make sure that you loosen the screws towards the center of the transformer.

20. Loosen screw no. 9 on the terminal block and leave the White wire, according to figure 3.
21. Insert the Orange wire from the PSH and the existing White wire to no. 9 on the terminal block. Fasten the screw, according to figure 3.
22. Loosen screw no. 10 on the terminal block and leave the Blue wire, according to figure 3.

-
23. Insert the Purple wire from the PSH and the existing Blue wire to no. 10 on the terminal block. Fasten the screw, according to figure 3.
 24. Reinstall the Infeed cover according to REP 1.4 in the SR85 Service Manual.
 25. Reinstall the Rear cover according to REP 1.1 in the SR85 Service Manual.

1.5 Attaching the Cover Feeder to the Top cover

NOTE: Make sure you notice the orientation of the original Gas spring. To be able to install the new Gas spring.

1. Remove the Gas spring from the Booklet maker by removing two 8mm nuts.

NOTE: Before installing the new Gas spring, be sure to only mount the lower end to the black bracket.

2. Install the new and shorter Gas spring from the installation kit, to the black bracket in the machine, according to Figure 1.

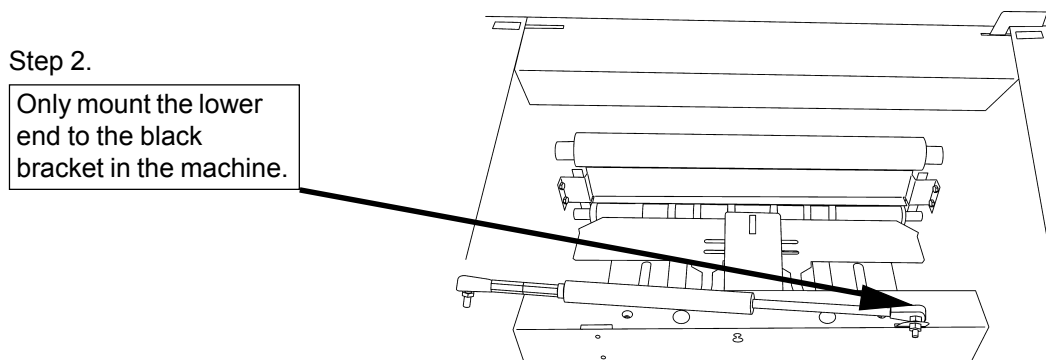


Figure 1, Gas spring

3. Remove the Front cover on the Cover Feeder by removing a 7mm screw.

NOTE: The DFD calibration strip is located in the front cover. Do not throw this away.

4. Remove the Rear cover on the Cover Feeder by removing a 7mm screw.
5. Make sure that the Top cover is open. Take the Rear Installation Bracket, item 6 page 1.1, and slide it between the Top cover and the Rear frame of the Booklet maker. Slide it from right to the left, according to figure 2.

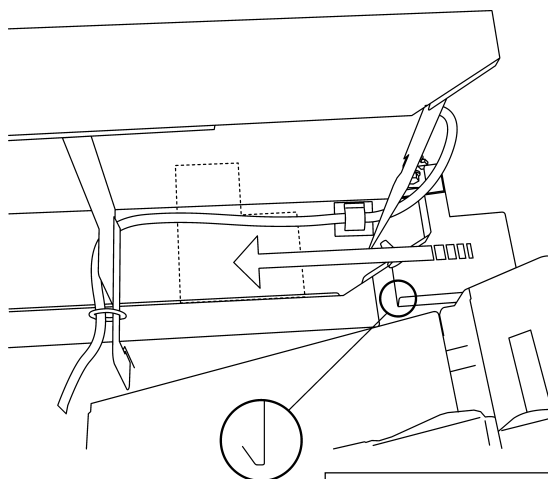


Figure 2, Top view

-
6. Take the Front Installation Bracket, item 5 page 1.1. Install it on the front side of the Top cover. Slide the Bracket upwards so the fold catches the edge of the Top cover, according to figure 3.

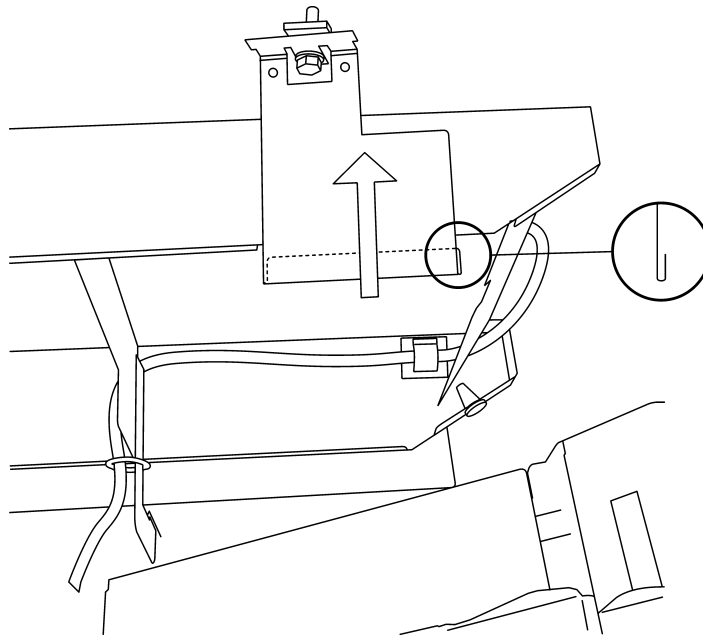


Figure 3

NOTE: Make sure you routed the PSH correctly, so it will not interfere when you are closing the Top cover.

7. While you are holding the Front Installation Bracket in position, close the Top cover.

NOTE: Make sure you routed the PSH correctly, so it won't be in the way when you are installing the Cover Feeder on top of the Top cover.

8. Put the cover Feeder on the top cover. Make sure that the lower paper path on the Cover Feeder goes down in the manual feed gap, check that all four rubber pads have contact with the Top cover of the Booklet maker.
9. Lift the Cover Feeder on the front side, and install the Front Installation Bracket in the Cutout on the Cover Feeder frame, according to figure 4.

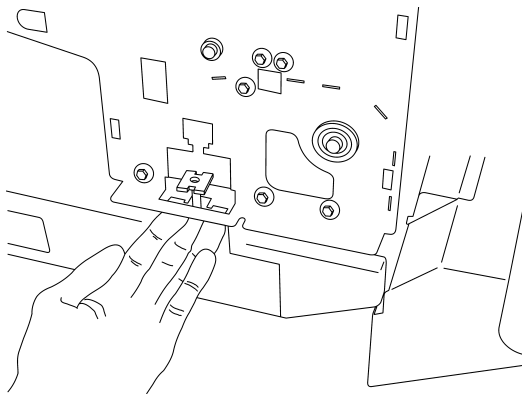


Figure 4, view of lifting the Cover Feeder and installing the Front Installation Bracket.

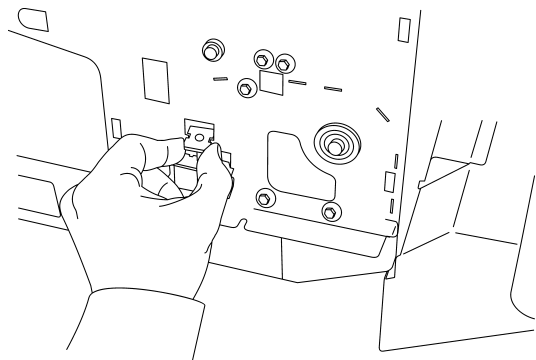
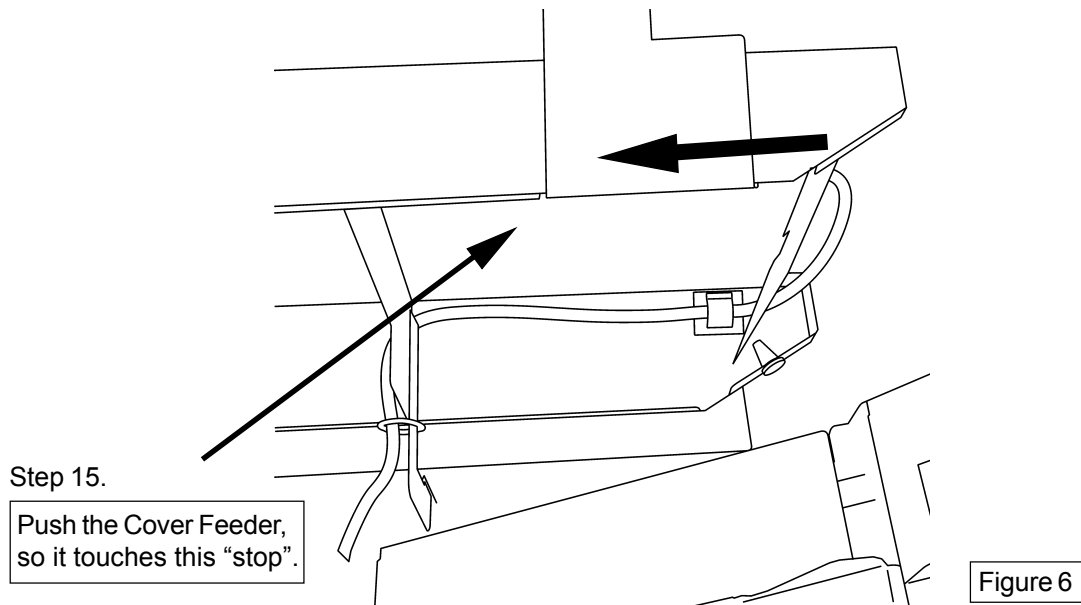


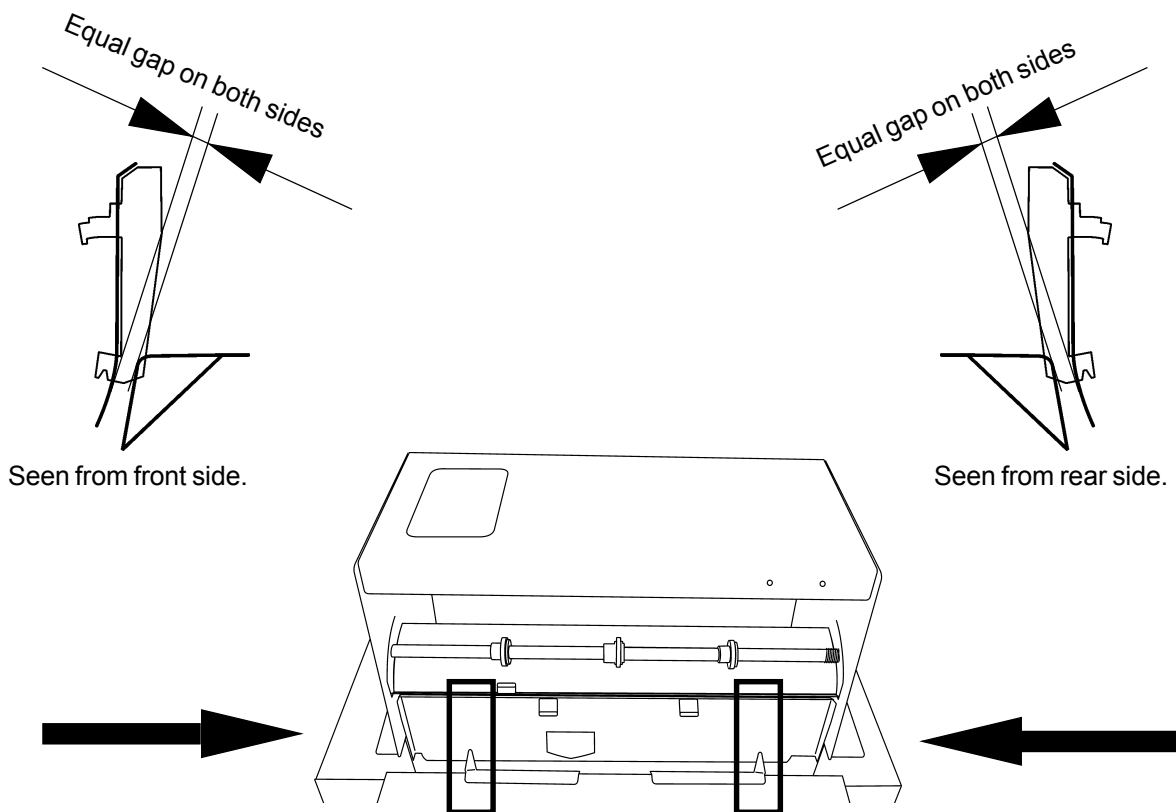
Figure 5, view of the installation of the Front Installation Bracket.

10. Loosen the nut on the front Installation Bracket, so you can secure the Cover Feeder, according to figure 5.
11. Finger tighten the screw.
12. Lift the Cover Feeder on the rear side, and install the Rear Installation Bracket in the Cutout on the Cover Feeder frame.
13. Loosen the nut on the rear Installation Bracket, so you can secure the Cover Feeder.
14. Finger tighten the screw.

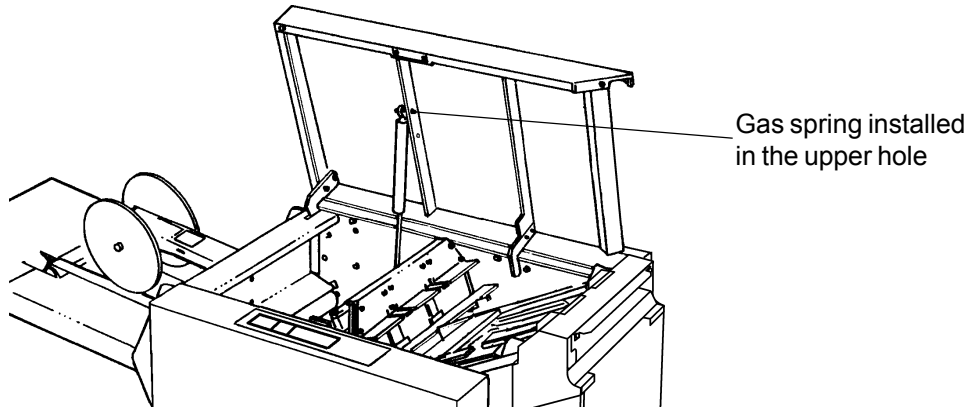
15. Push the Cover Feeder to the left so that the front installation bracket is against the Top cover, according to figure6.



16. Adjust the Cover Feeder, so that there is an equal gap between the Jam clearance baffle and the two brackets on the infeed assembly. Figure 7.



17. Tighten the screws one and a half revolution.
18. Install the upper end of the Gas spring to the upper hole on the Top cover, according to figure 8



19. Connect the PSH and the ground wire to the rear of the Cover Feeder. Secure the PSH with a cable holder on the rear side of the Booklet maker Top cover.
20. Install the Feed roller assembly. Figure 9.
21. Connect the two paper bin springs, according to figure 9.

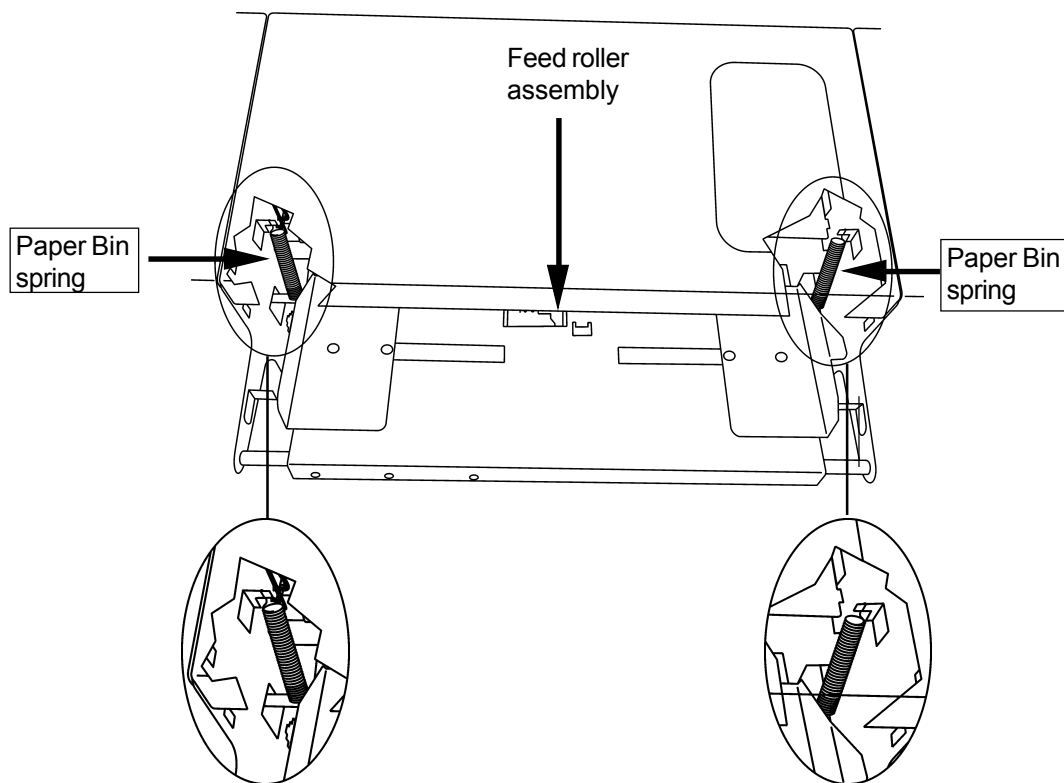


Figure 9, view of Feed roller assembly

-
22. Reinstall the Front and Rear cover on the Cover Feeder.
 23. Connect the Bin extension plate assembly to the Cover Feeder. Connect the connector and the ground wire, according to figure 10.

NOTE: Make sure you connect the Communication cable from the Copier Finisher to the Cover Feeder, NOT the Booklet maker.

24. Connect the Communication cable from the Copier Finisher to the Cover feeder, according to figure 10.
25. Connect the Communication cable that was included in the Installation kit between the Cover Feeder and the Booklet maker, according to figure 10.
26. Connect the Power cord to the Booklet maker.
27. Dock and latch the Booklet maker with the Copier.

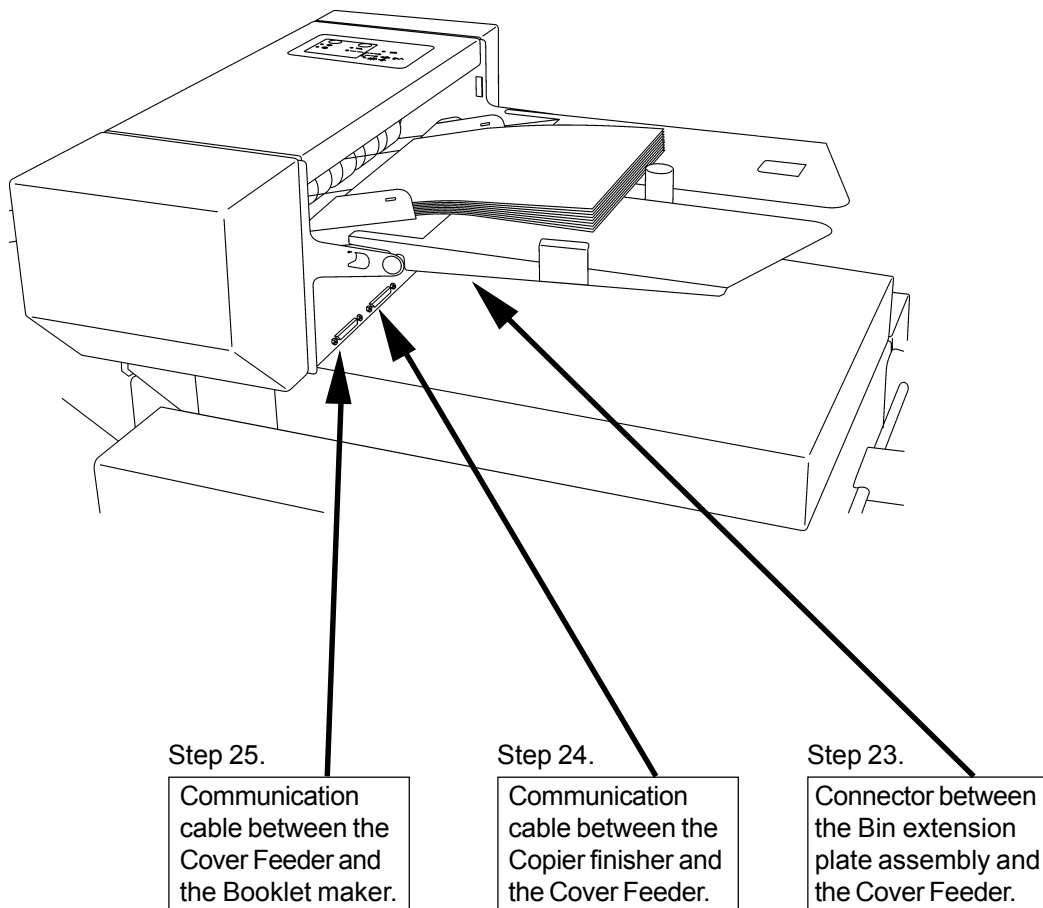


Figure 10, view of Feed roller assembly

1.6 Check the installation

1. Switch on the main power switch on the Booklet maker.
2. Make sure that the sets are well fanned to avoid misfeeds or double-feeds.
3. Align the sheets well to achieve a reliable collating operation and good finishing result.
4. Make sure that the ink has dried out well, to avoid smearing.
5. Load the covers into the paper bin.
6. Move the adjustable side guide up against the sheets until there is no clearance.
7. Move the adjustable Air nozzle, so that the green stripe on the Air nozzle bracket is up against the paper stock.
8. Set the Online/Offline button to Online position.
9. The Cover Feeder will prefeed the first cover to be ready for the set from the copier.
10. Send a set from the copier, and the Cover Feeder will automatically feed covers to the sets.
11. The Cover Feeder will automatically stop sending covers when the copier is not sending any sets. To stop the fan on the Bin extension plate, press the Online/Offline button.